

Designed specifically to meet the needs of the out-of-home and retail promotion market, Digital View VideoFlyers integrate high quality displays with digital media players. The VideoFlyer 064 features a high quality 6.4" LCD display with a built in speaker and a number of options making it ideal for retail shelf edge and other Point of Purchase (POP) promotions.



FEATURES :

Enclosure :

Plastic enclosure available in black color.

Storage Medium :

CompactFlash memory card - All sizes, for example: 512MB/1GB/2GB/4GB/8GB

Audio Output :

Built-in speakers 2W

Playback Modes :

Loop mode :

Videos can be set to play in a continuous loop either individually or in sequence.

Auto mode :

Videos can be set to sleep mode or auto playback at power up.

Program mode:

All tracks and scheduled functions can be programmed by DV Studio software which writes the MPEG video files on to the CompactFlash card.

Standard Playback :

Standard player modes - play, stop, pause, repeat, previous track, next track, volume control, mute. Specific track or playlist select.

Touch Screen :

Optional touch screen(8 buttons) support with playlist programmable interactivity.

Barcode Reader Support :

An optional RS-232 (DB-9) is provided for interfacing with barcode reader. The application is the use of barcode to select video tracks.

Motion Sensor :

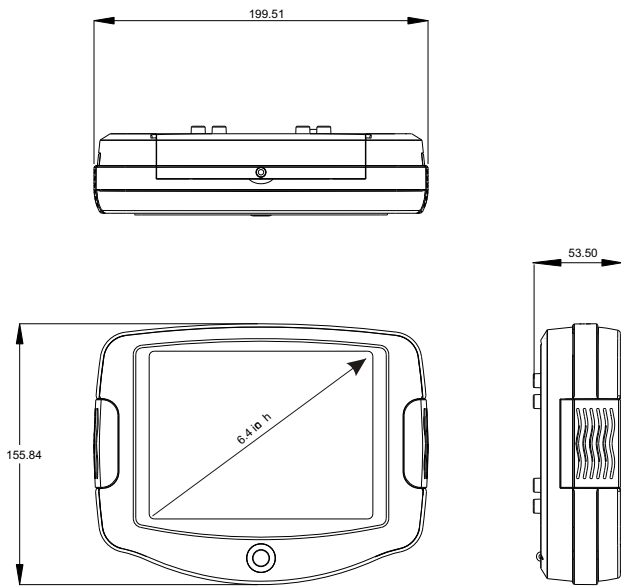
Optional motion detector controls the audio/video track, to ensure that sound/movie only plays when a customer is in range.

JPEG

MP3

MPEG-2

MPEG-1



Unit in mm

Ordering Information

Part No.	Model	Description
5869111-00	VF-064P-T	VF-064P with 8-segment Touch
5869121-00	VF-064P-R	VF-064P with RS-232
5869131-00	VF-064P-TR	VF-064P with 8-segment Touch & RS-232
5869141-00	VF-064P-M	VF-064P with Motion Sensor

Enclosure Color : Black

SPECIFICATION

Playable Format

MPEG-1 video (Video-CD), MPEG-2 video (DVD)
MPEG still picture, MP3 audio, JPEG picture

Storage

CompactFlash card : Type 1/2

Panel Information

Screen size : 6.4" (Diagonal)
Active area : 129.6(H) x 97.34(V)
Max. Resolution : 960(H) x 234(V)
Brightness : 330 cd/m²
Contrast ratio : 150
Viewing angle : 100°(H) 50°(V)

Video/JPEG Resolution

Low resolution : 352 x 288 pixels (PAL)
: 352 x 240 pixels (NTSC)
High resolution : 720 x 576 pixels (PAL)
: 720 x 480 pixels (NTSC)
Still picture : 800 x 600 (JPEG)

Audio Output

Internal speakers (2W) x 2

Playback Functions

Standard playback : Play, Stop, Pause, Repeat, Previous,
Next Track, Volume
Programmable playback : Loop, Auto and Program mode

Options

Touch Screen (8 segmented touch)
USB
Motion Sensor
Barcode scanner (RS-232 port)

Power

Power input : 12V DC, 1A typical
Power consumption : 12W

Environmental

Operating temperature : 0°C to 50°C
Relative humidity : 5%-95% relative humidity,
(Non-condensing)

Dimension

Dimension (W x D x H) : 199.5mm x 53.5mm x 155.8mm

Weight

Weight (net) : 795g

Brand names belong to their respective owners. Specifications subject to change without notice. April 2007

ASIA

USA

EUROPE

Digital View Ltd.
19th floor Tai Tung Building
8 Fleming Road
Wanchai, Hong Kong

Tel: (852) 2861 3615
Fax: (852) 2520 2987
Email: sales@digitalview.com

Digital View Inc.
18440 Technology Drive
Building 130
Morgan Hill, CA 95037
USA

Tel: (1) 408-782-7773
Fax: (1) 408-782-7883
Email: sales@digitalview.com

Digital View Ltd.
6 Marylebone Passage,
London, W1W 8EX,
UK

Tel: +44 20-7631-2150
Fax: +44 20-7631-2156
Email: sales@digitalview.com

Please visit our web site for more information: www.digitalview.com

