

AC-082A • 8 Chars×2 Line 1/16 Duty

FEATURE :

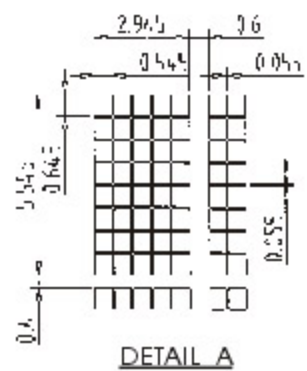
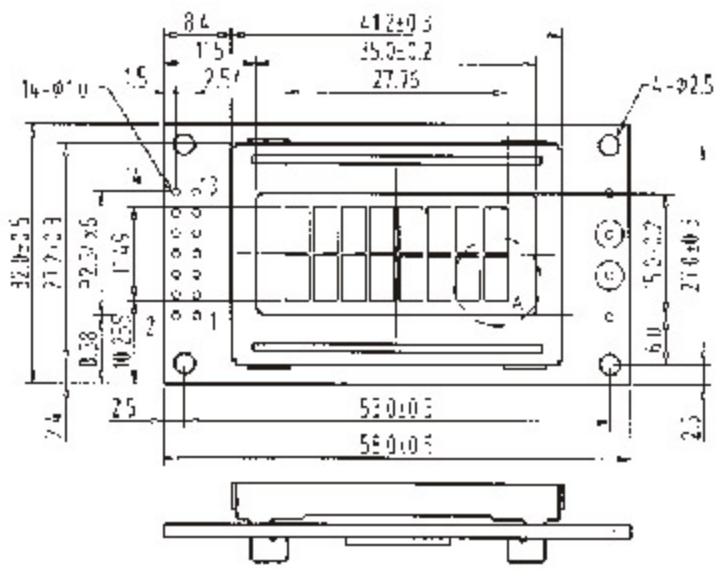
1. Construction : STN LCD panel, Bezel, Zebra and PCB.
2. Optional LED back-light.
3. Controller : KS0066U or Equivalent.
4. 5V or 3.3V single power input. Built-in DC/DC converter while using 3.3V power input.
5. Normal / Extended temperature type.

ELECTRICAL CHARACTERISTICS :

| Item | Sym. | Condition | Typ. Value | Unit. |
|---------------------|--------|-----------|------------|-------|
| LCD Driving Voltage | VDD-VO | 25°C | 4.6 | V |
| Supply Current | IDD | VDD=5.0V | 1.0 | mA |

INTERFACE :

| 1 | 2 | 3 | 4 | 5 | 6 | 7 | 8 | 9 | 10 | 11 | 12 | 13 | 14 |
|-----|-----|----|----|-----|---|-----|-----|-----|-----|-----|-----|-----|-----|
| VSS | VDD | VO | RS | R/W | E | DB0 | DB1 | DB2 | DB3 | DB4 | DB5 | DB6 | DB7 |



THICKNESS :

| VERSION | T1 | T2 |
|---------------|---------|---------|
| NO BACKLIGHT | 4.9±0.3 | 10.0Max |
| LED BACKLIGHT | 8.5±0.3 | 13.8Max |