

## FEATURE

1. Construction : STN/FSTN LCD, Bezel, Zebra and PCB.
2. Optional LED or EL back-light.
3. Controller : SED1520D0A or equivalent.
4. Besides +5V for logic circuit, -5V is needed for LCD driving.
5. Normal / Extended temperature type.

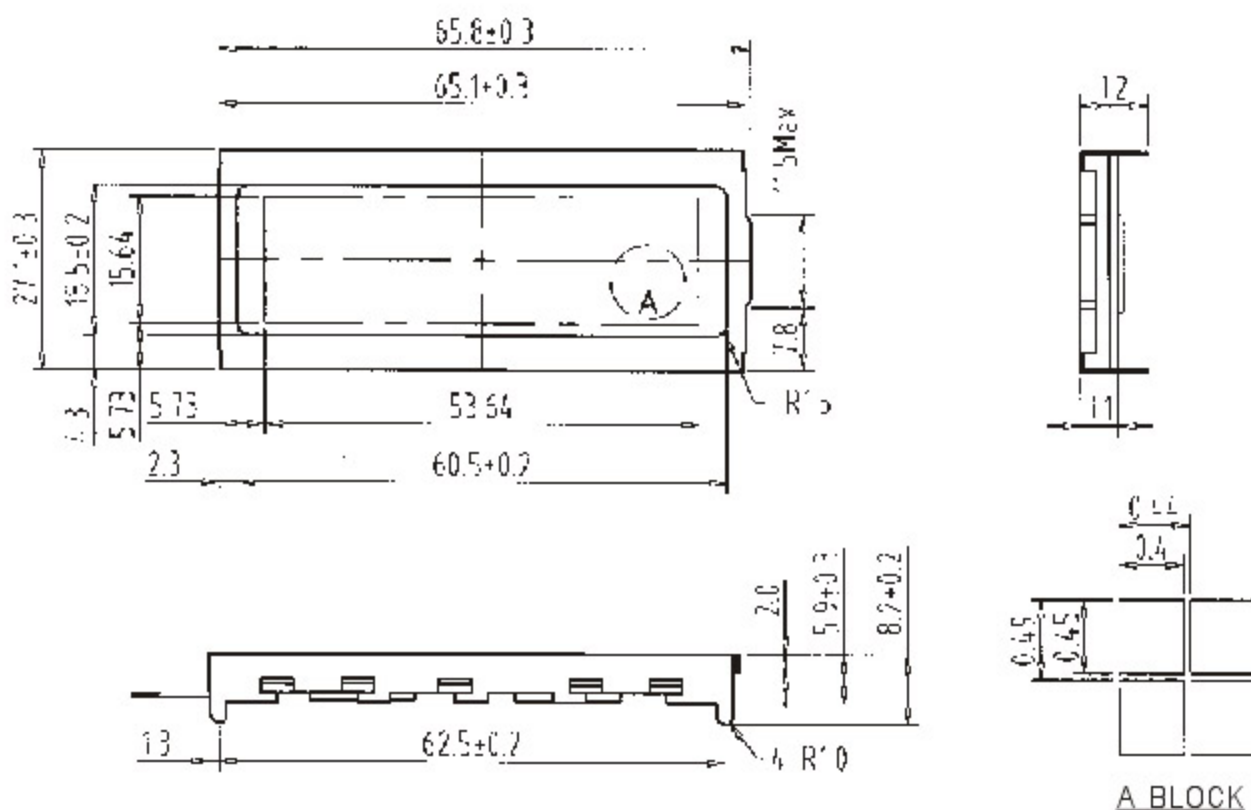
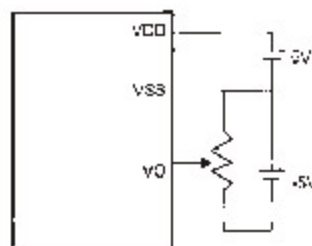
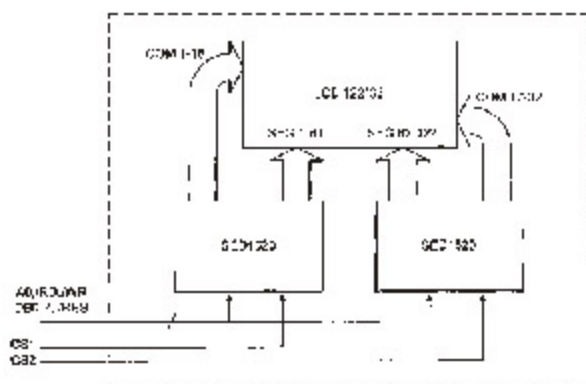
## ELECTRICAL CHARACTERISTICS

Item	Symbol	Condition	Typ. Value	Unit.
LCD Driving Voltage	VDD-VO	25°C	6.4	V
Supply Current	IDD	VDD=5.0V	0.5	mA

## INTERFACE

1	2	3	4	5	6	7	8	9	10
AO	CS2	CS1	CL	/RD	/WR	VSS	DB0	DB1	DB2
11	12	13	14	15	16	17	18		
DB3	DB4	DB5	DB6	DB7	VDD	RES	VO		

## BLOCK DIAGRAM & POWER SUPPLY



THICKNESS:

VERSION	T1	T2
EL & NO BACKLIGHT	4.7 ± 0.3	8.4 ± 0.2
LED BACKLIGHT	4.7 ± 0.3	8.4 ± 0.2