

FEATURE

1. Construction : STN/FSTN LCD, Bezel, Zebra, Heat Seal and PCB.
2. Optional LED or EL back-light.
3. Controller : KS0108B
4. 5V single power input. Built-in DC/DC converter for LCD driving.
5. Normal / Extended temperature type.

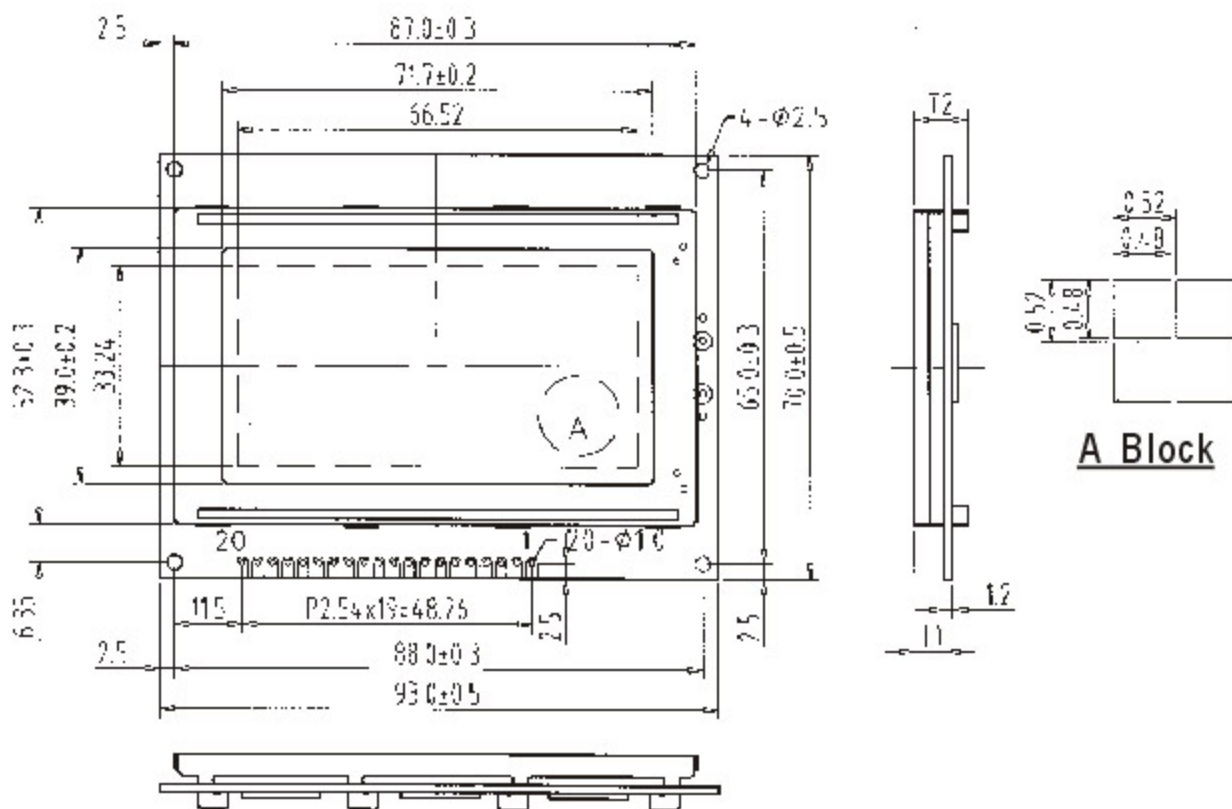
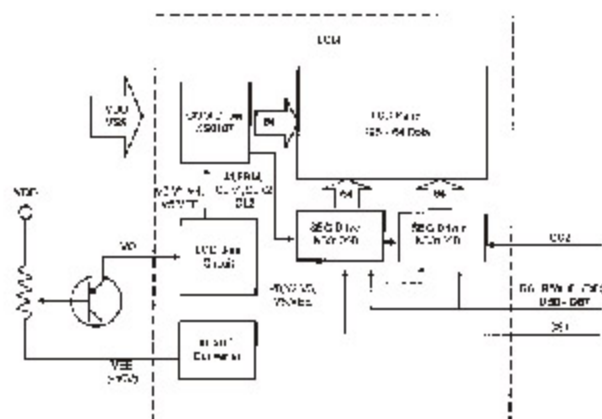
BLOCK DIAGRAM & POWER SUPPLY

ELECTRICAL CHARACTERISTICS

Item	Symbol	Condition	Typ. Value	Unit.
LCD Driving Voltage	VDD-VO	25°C	12.2	V
Supply Current	IDD	VDD=5.0V	3.0	mA

INTERFACE

1	2	3	4	5	6	7	8	9	10
VSS	VDD	VO	RS	R/W	E	DB0	DB1	DB2	DB3
11	12	13	14	15	16	17	18	19	20
DB4	DB5	DB6	DB7	CS1	CS2	/RES	VEE	LEDA	LEDK



THICKNESS:

VERSION	T1	T2
EL & NO BACKLIGHT	5.0 ± 0.3	9.5Max.
LED BACKLIGHT	9.8 ± 0.3	14.5Max.