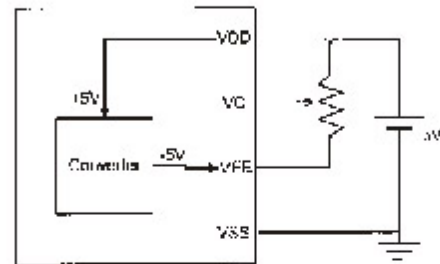
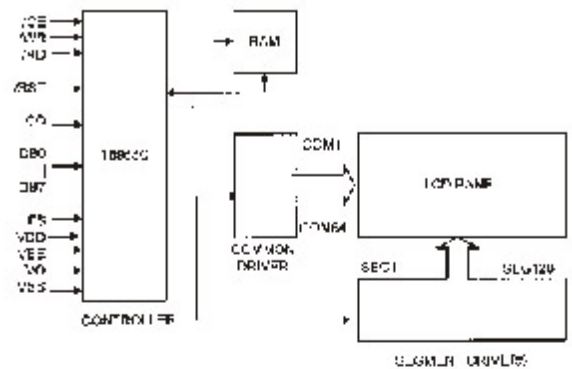


FEATURE

1. Construction: STN/FSTN LCD, Bezel, Zebra and PCB.
2. Optional edgetype LED or EL back-light.
3. Controller: T6963C
4. 5V single power input. Built-in DC/DC converter for LCD driving.
5. Normal / Extended temperature type.

BLOCK DIAGRAM & POWER SUPPLY

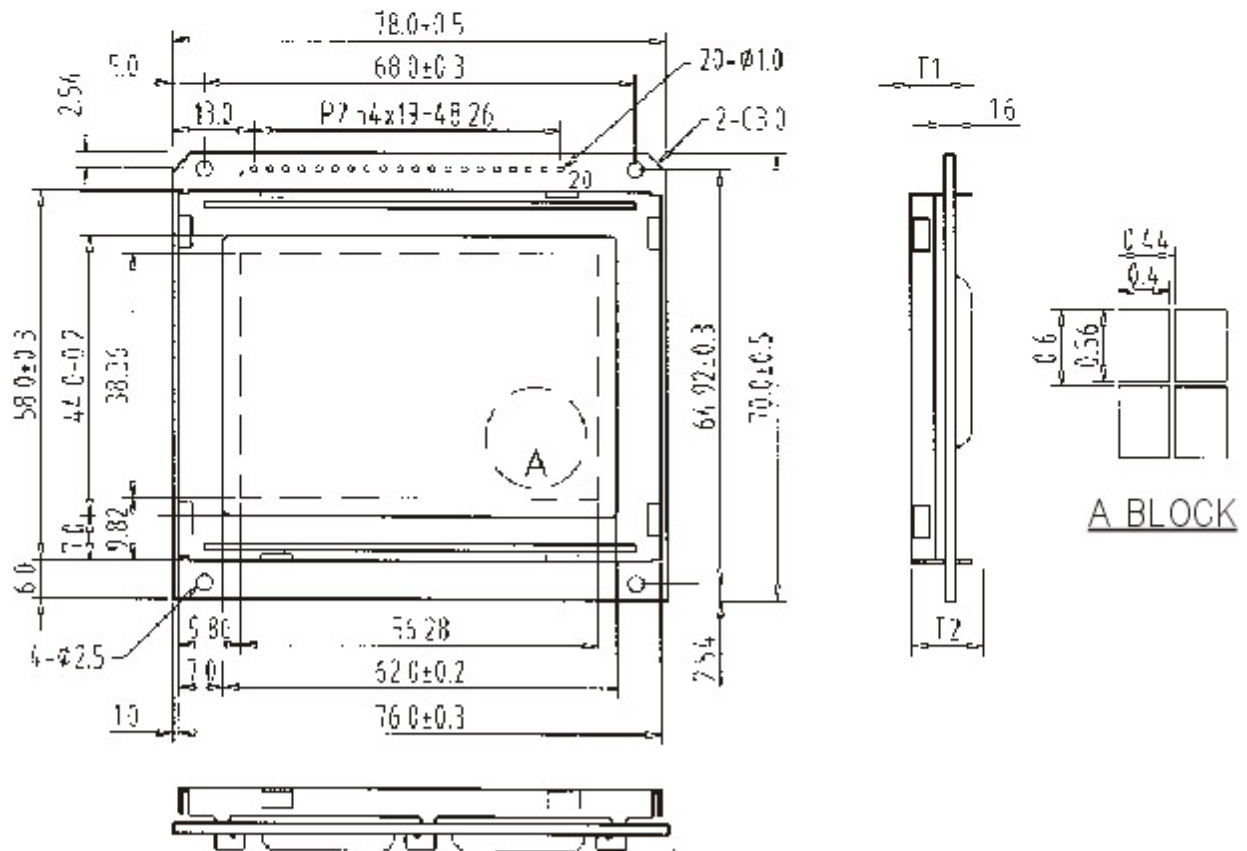


ELECTRICAL CHARACTERISTICS

Item	Symbol	Condition	Typ. Value	Unit.
LCD Driving Voltage	VDD-VO	25°C	9.2	V
Supply Current	IDD	VDD=5.0V	3.0	mA

INTERFACE

1	2	3	4	5	6	7	8	9	10
VEE	VSS	VDD	VO	/WR	/RD	/CE	C/D	/RST	DB0
11	12	13	14	15	16	17	18	19	20
DB1	DB2	DB3	DB4	DB5	DB6	DB7	FS	LEDA	LEDK



THICKNESS:

VERSION	T1	T2
EL & NO BACKLIGHT	5.4 ± 0.3	10.5Max.
LED BACKLIGHT	7.8 ± 0.3	13.0Max.