

## FEATURE

1. Construction : STN/FSTN LCD, Bezel, Heat Seal, Zebra and PCB.
2. Optional edgetype LED back-light.
3. Controller : K90 108B.
4. 5V single power input. Built-in DC/DC converter for LCD driving.
5. Normal / Extended temperature type.

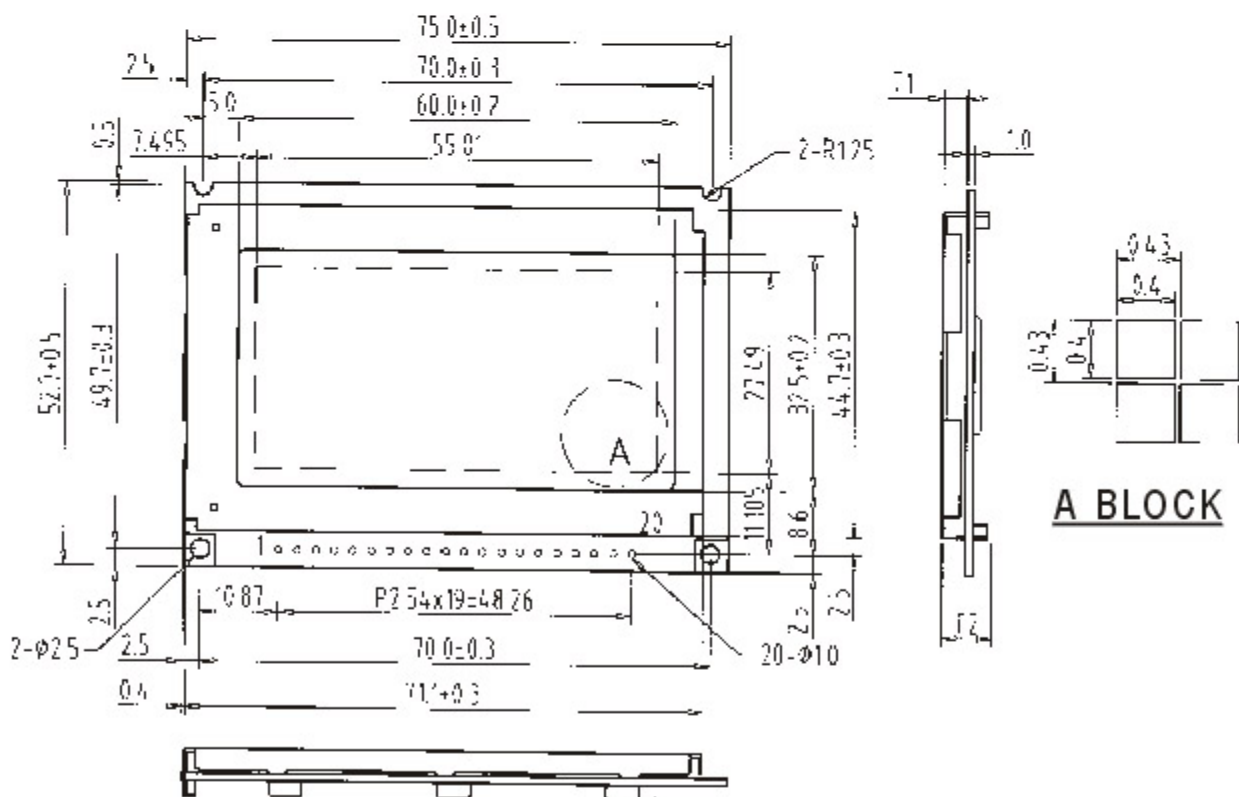
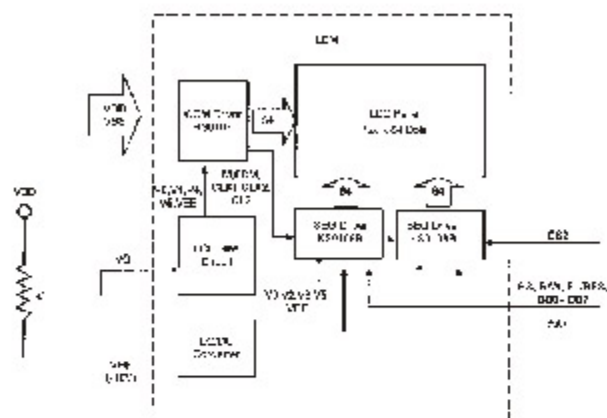
## ELECTRICAL CHARACTERISTICS

Item	Symbol	Condition	Typ. Value	Unit.
LCD Driving Voltage	VDD-VO	25°C	8.4	V
Supply Current	IDD	VDD=5.0V	3.0	mA

## INTERFACE

1	2	3	4	5	6	7	8	9	10
VDD	VSS	VO	DB0	DB1	DB2	DB3	DB4	DB5	DB6
11	12	13	14	15	16	17	18	19	20
DB7	/CS1	/CS2	/RST	R/W	D/1	E	VEE	LEDA	LEDK

## BLOCK DIAGRAM & POWER SUPPLY



THICKNESS:

VERSION	T1	T2
NO BACKLIGHT	3.3 ± 0.3	6.8Max.
LED BACKLIGHT	5.5 ± 0.3	9.0Max.