



## PC-TFT-64PA

### Interface Board

#### Features

- Used for TFT-LCD display: 6.4" AND-TFT-64PA
- Ultra Compact
- NTSC/PAL video auto switch
- Requires only +12VD input
- DC/DC/DC/AC video decoder all-in-one
- Up/Down & Left/Right display reverse

The PC-TFT-64PA is designed to work with the AND-TFT-64PA color TFT display which is suitable for security, video game, door phone, video phone, portable TV and instrument display applications.

#### Mechanical Characteristics

Item	Specification	Unit
Screen Size	6.4 (diagonal)	inch
Display Format	960 x 234	dot
Active Area	129.6 (H) x 97.34 (V)	mm
Dot Pitch	0.135 (W) x 0.416 (H)	mm
Pixel Configuration	Stripe	-
Outline Dimension	127.4 (W) x 92.8 (H) x 12.9 (D)	mm
Weight	235 ± 10	g
Contrast Ratio	150:1	-
View Angle	(V) +40° / -55°	deg
	(H) ± 60°	
Color	Full Color	-
Brightness	330	cd/m <sup>2</sup>

#### Absolute Maximum Rating

Item	Symbol	Conditions	Min.	Max.	Unit
Operating Temperature	Top	-	0	60	°C
Storage Temperature	Tstg	-	-30	80	°C

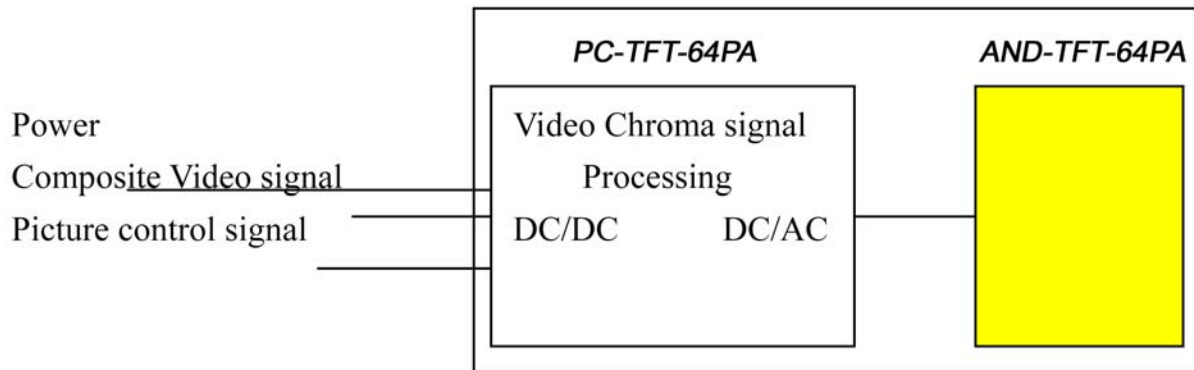
Product specifications contained herein may be changed without prior notice.  
It is therefore advisable to contact Purdy Electronics before proceeding with the design of equipment incorporating this product.



**Electronic Characteristics**

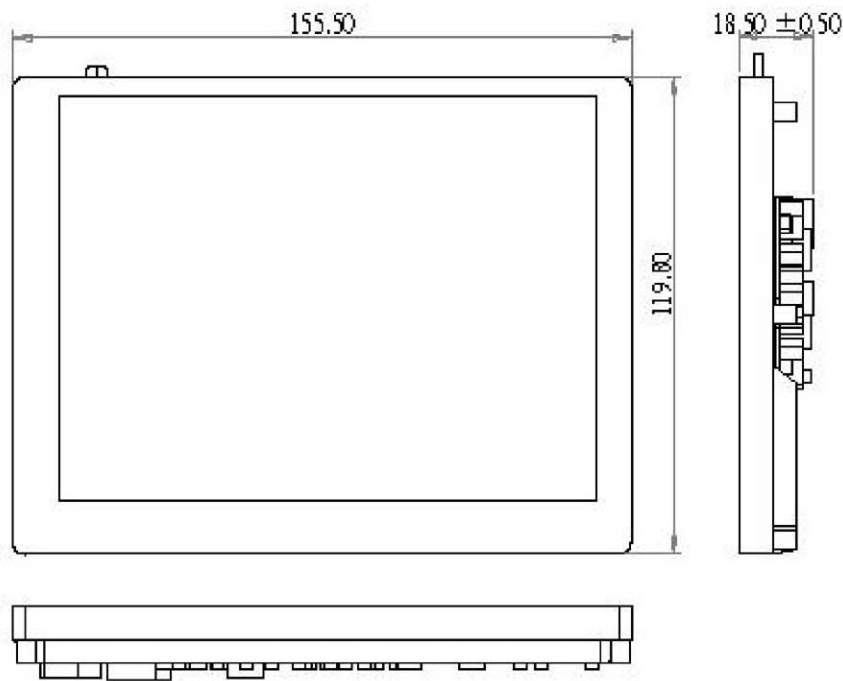
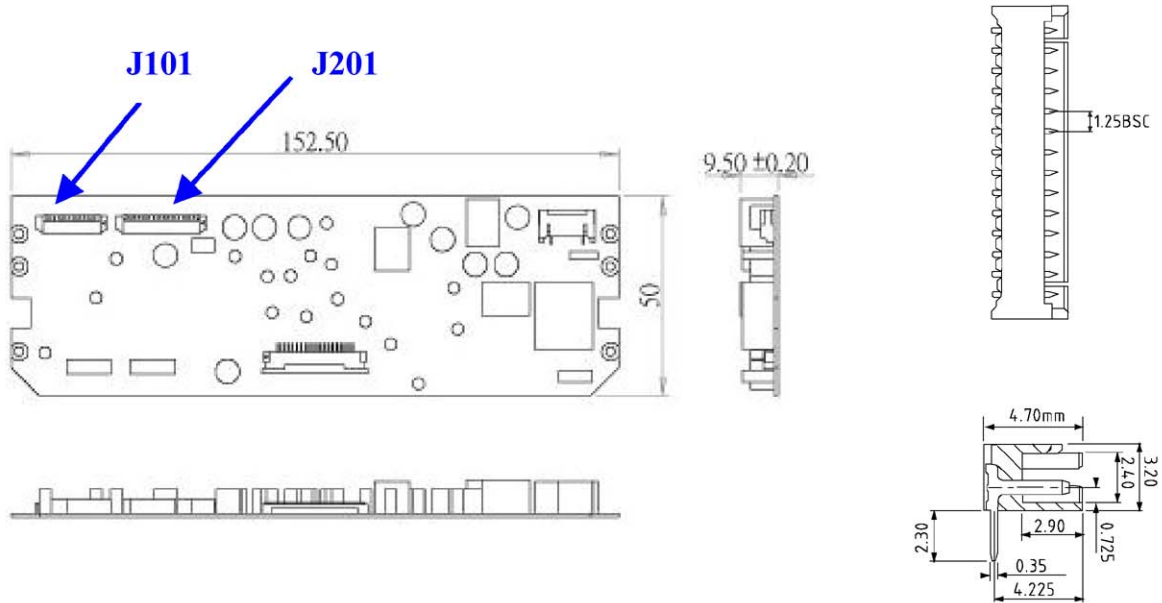
Pin No.	Symbol	Conditions	Input/Output	Min.	Typ.	Max.	Unit
5	Video	NTSC/PAL @ (75Ω)	Input	–	1	–	p-p
1	Vin	DC (+)	Input	10	12	14	V
	Iin			–	560	–	mA
	Pin	DC (+12V)		–	6.72	–	W
6	Vo	DC (+)	Output	–	5	–	V
	Io			–	2	–	mA
7	Bright	DC (+)	Input	1.83	2.00	2.15	V
8	Contrast I	DC (+)	Input	2.30	2.70	2.90	V
9	Color	DC (+)	Input	2.65	3.35	3.80	V
10	Tint	DC (+) NTSC only	Input	1.00	2.98	4.00	V
11	NTSC/PAL	(Option)	Output	–	TTL	–	
12	Left/Right		Input	–	TTL	–	
13	Up/Down		Input	–	TTL	–	
14	DIM	DC (+)	Input	0	–	4	V
–	–	Operating Temperature	–	0	–	60	°C

**Block Diagram**



Dimensional Outline

Board



**Pin Assignment**

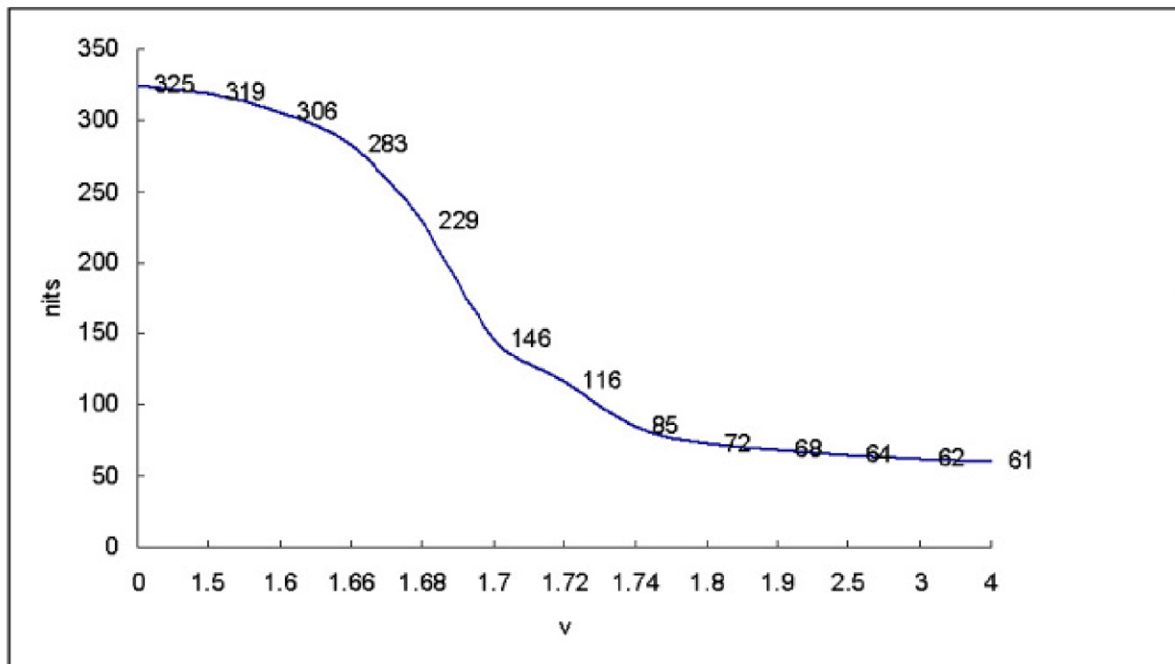
Pin	Symbol
1	Vin
2	GND (Power)
3	GND (Power)
4	GND (Power)
5	Video in
6	+5V
7	Bright
8	Contrast
9	Color
10	Tint (NTSC only)
11	NTSC/PAL
12	Left/Right
13	Up/Down
14	DIM

**Pin Assignment (Option)**

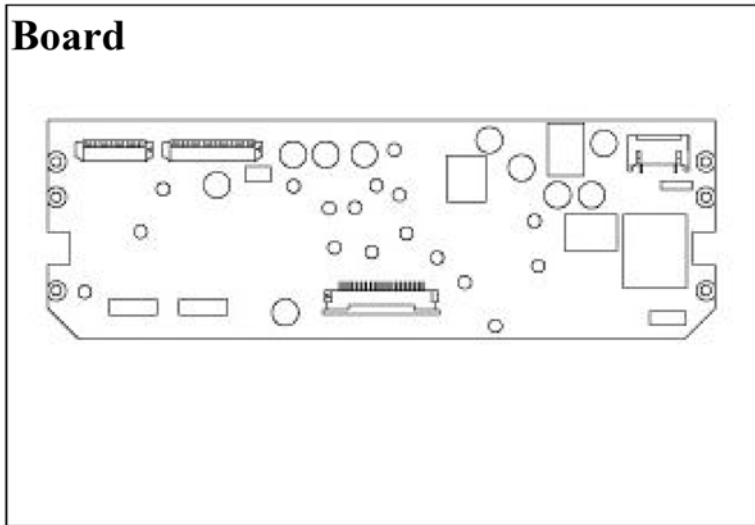
Pin	Symbol
1	EXT.R
2	EXT.G
3	EXT.B
4	EXT.switch
5	Composite sync. input
6	Video Composite sync output
7	Horizontal sync output
8	Vertical sync output
9	Ground
10	Chroma signal input

Note: If you use EXT.R.G.B or Y/C video input mode, please contact Purdy to modify some components of the interface board.

**DIM CURVE**



**Board**



**Module**

